

"EASY-SET" MOLE ELIMINATOR



US PATENT NO. 7104005

OPERATING INSTRUCTIONS

PROUDLY
MADE IN THE USA

WARNING: THE "EASY-SET" MOLE ELIMINATOR is a powerful trap, never try setting the trap with your hands or while the trap is out of the ground.

The "**EASY-SET**" **MOLE ELIMINATOR** is ready to use. No assembly is required. This trap is the most effective and humane mole control device available. Burrowing moles will create unsightly and dangerous ridges in a manicured lawn at up to sixty feet in one hour. This amazing patented invention eliminates pesky moles from your lawn and garden, not just driving them out to relocate and cause damage elsewhere. When used properly, the "**EASY-SET**" **MOLE ELIMINATOR** will work safely and effectively and will not harm the environment. No baits or chemicals are used.

HOW AND WHERE

Setting the "**EASY-SET**" **MOLE ELIMINATOR** properly is very important for effective operation. Locate an active mole run (tunnel). An active tunnel will have fresh, moist, worked-up soil. Using a pencil or small stick, poke it into the mole tunnel several times to determine the approximate width and depth. The greater the width usually indicates that the tunnel has been in use for a longer time and more often. A 4-1/2 inch depth or less tunnel is an ideal location to set your trap.

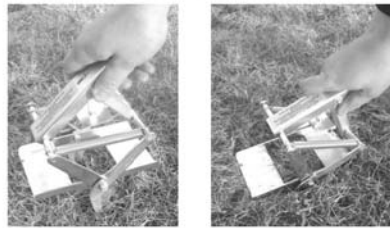


SETTING THE TRAP

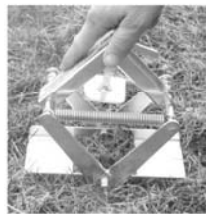
Press the center of the tunnel down with the heel of your foot until the ground feels solid. (You are actually closing a small area of the tunnel).



Push both pairs of closed jaws of the trap straight down with a rocking motion into the mole run and in line with it.



Position the trap so that the rectangular trigger plate is centered above the area you flattened with your heel and the traps frame is flush with the ground. Both jaws must be centered and in line with the direction of the tunnel. This will allow the jaws to open across the tunnel when they are set.



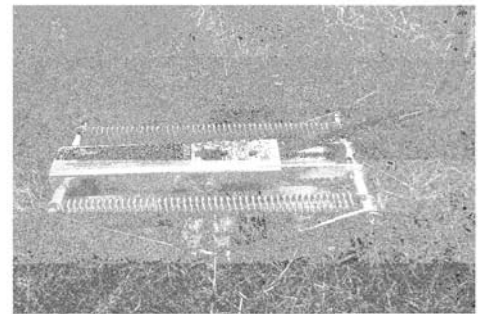
Step straight down on the top lever until the trap is set (levers will go slightly past center when fully set and should be parallel to the ground). In hard or rocky soil a repeated stepping motion may be necessary to set the trap. If trap levers are not parallel to the ground when set, use your foot to rock in place.



REMOVING OR RELOCATING

We recommend removing and relocating the "**EASY-SET**" **MOLE ELIMINATOR** if you have not been successful in catching your mole within a 12-24 hour period. Mole movement is effected by climate, ground moisture, and current food supply which can dictate which tunnels will be active.

To release the trap from its set position use a small rigid stick or screwdriver and insert between the top and lower lever, lift up under the top lever until the springs take over and the jaws close safely underground. Pull the disarmed trap out of the ground and relocate.



WARNING: TO AVOID POTENTIAL INJURY. NEVER REMOVE THE "**EASY-SET**" **MOLE ELIMINATOR** FROM THE GROUND UNLESS IT IS DISARMED.

DISCARDING THE DEAD MOLE

When the levers of the trap pop up, it should indicate that a mole has been caught. To remove the dead mole from the trap, pull the trap out of the ground using a rocking motion. Grab the frame on both end and pull the levers against your body just enough to allow the mole to drop out.

WARNING: NEVER OPEN THE JAWS ALL THE WAY AS IT CAN CAUSE INJURY.

“EASY-SET” MOLE ELIMINATOR

WARRANTY INFORMATION

LIMITED WARRANTY (USA ONLY)

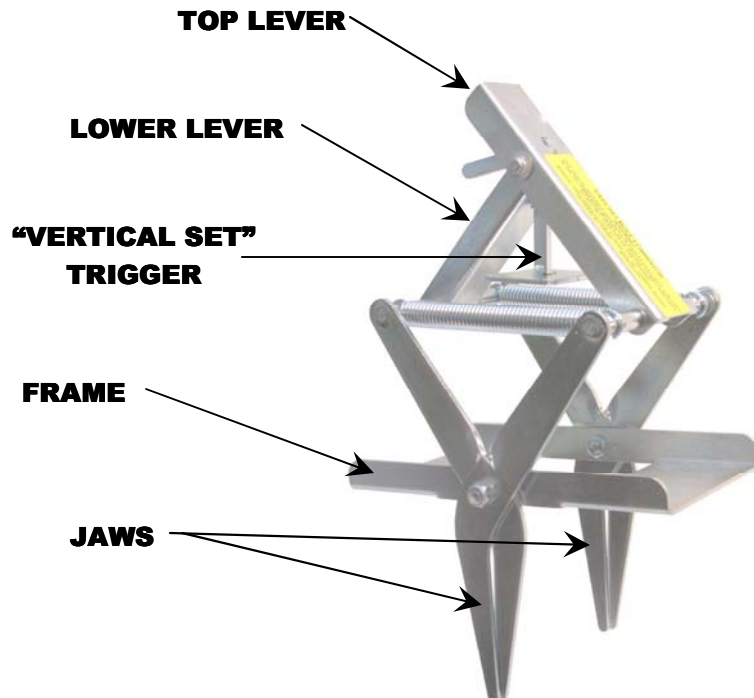
The manufacturer warrants to the original end user that for a period of one (1) year from the original date of purchase as evidenced by a copy of your receipt, this product shall be free from defects in materials and workmanship. This limited warranty does not include damage due to acts of God, accident, misuse, abuse, negligence, modification, unsuitable environment, or improper maintenance. The sole obligation and liability of the manufacturer, and your exclusive remedy under this limited warranty, will be repair or replacement with the same or equivalent product or of the defective portion of the product at the sole option of the manufacturer if determined that the product was defective and the defect arose within the duration of the limited warranty. This warranty gives you certain rights; you may also have other legal remedies that may vary from jurisdiction to jurisdiction.

WARRANTY SERVICE

Upon discovering a defect, you must return the complete product freight prepaid to the manufacturer whose address is listed below. Enclose your full name and delivery address in the USA (no post office address can be shipped to) for the return or replacement product, and enclose a copy of your sales receipt as proof of your original date of purchase.

**DO NOT DISASSEMBLE ANY DEFECTIVE COMPONENT
AS IT WILL VOID THE WARRANTY.**

SHIP TO:
Wire-Tek, Inc.
234 Industrial Drive
Sunman, IN 47041



CARING FOR YOUR “EASY-SET” MOLE ELIMINATOR

Do not use grease or oil as a lubricant. Moving parts are protected from wear and seizure with factory installed nylon bearing spacers. Moles can detect artificial odors, even food grade oils, and will avoid the trap or dig a new tunnel. Wear clean gloves when handling the trap to avoid getting a detectable scent on the jaws. If necessary to remove scents from the jaws, push the closed jaws in and out of soft dirt several times. Surface rust on your ***“EASY-SET” MOLE ELIMINATOR*** will not reduce its effectiveness since moles encounter many iron elements in the soil.